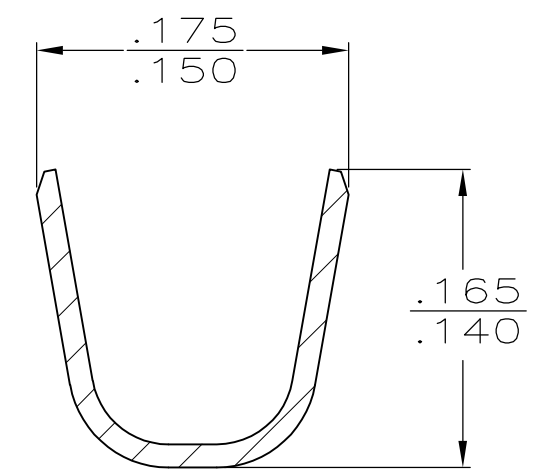
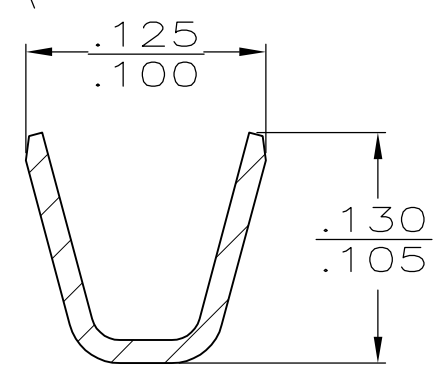
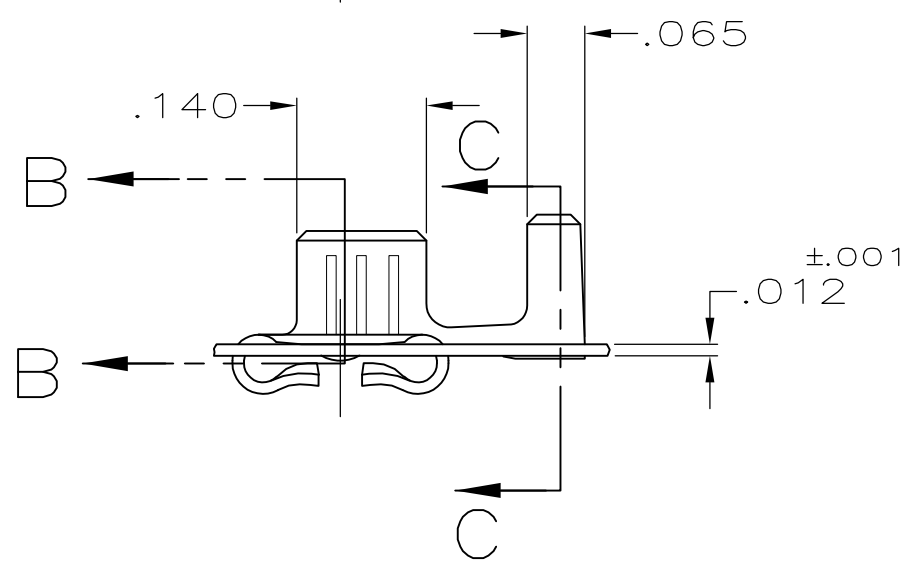
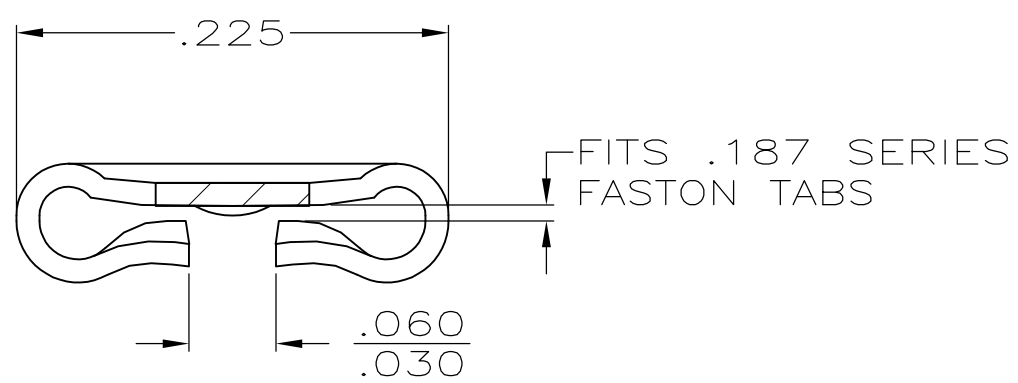
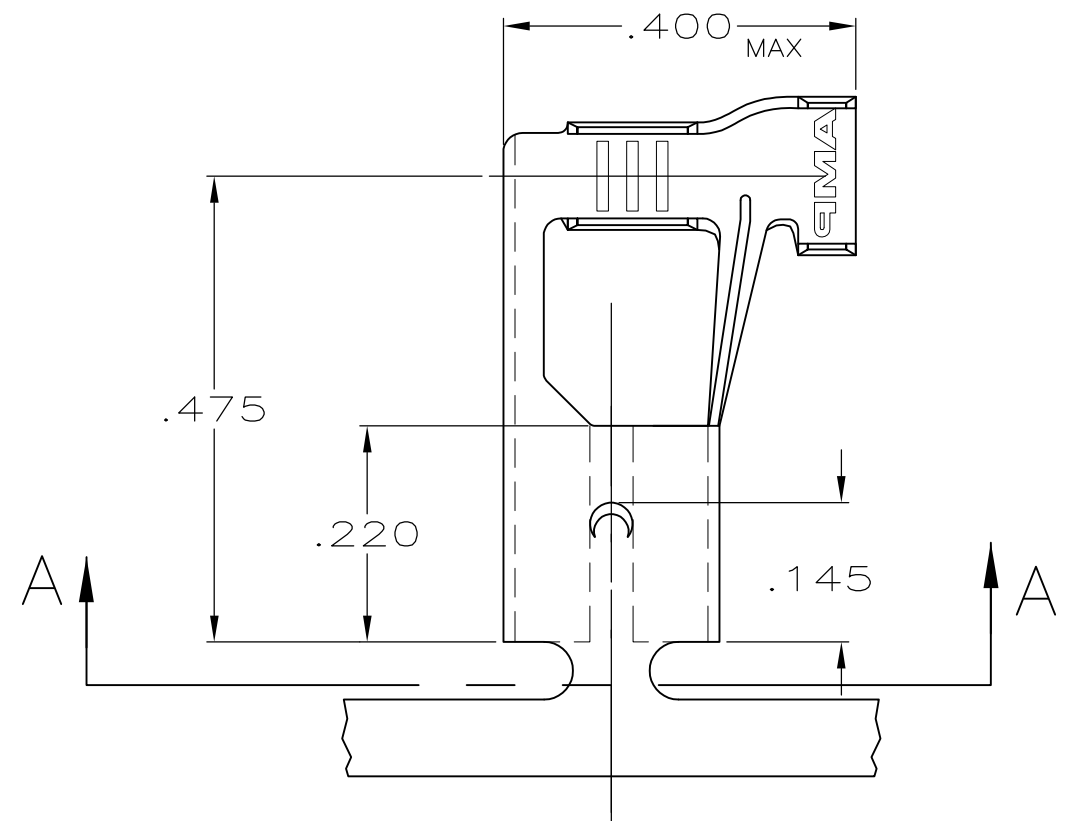


THIS DRAWING IS UNPUBLISHED. RELEASED FOR PUBLICATION
 © COPYRIGHT - By - ALL RIGHTS RESERVED.

LOC	DIST	REVISIONS			
P	LTR	DESCRIPTION	DATE	DWN	APVD
AF	50	J	REVISED PER ECR-12-013459	28NOV2012	KH PD

1 CONTINUOUS STRIP ON REELS.



.090-.130 DIA	20-16 AWG	TIN	.020	60755-2
INSULATION RANGE	WIRE SIZE	FINISH	MATING TAB THK #.001	60755-1
				PART NUMBER

THIS DRAWING IS A CONTROLLED DOCUMENT.		DWN JR RUTH 11/5/91	TE Connectivity RECEPTACLE, FASTON, FLAG, .187 SERIES				
DIMENSIONS: INCHES		CHK MS FEHER 11/5/91					
TOLERANCES UNLESS OTHERWISE SPECIFIED:		APVD C MEYERS 11/5/91					
0 PLC ± - 1 PLC ± - 2 PLC ± - 3 PLC ± .015 4 PLC ± - ANGLES ± -		NAME					
MATERIAL BRASS		FINISH SEE TABLE	PRODUCT SPEC	SIZE A3	CAGE CODE 00779	DRAWING NO C-60755	RESTRICTED TO
CUSTOMER DRAWING			WEIGHT -	SCALE 5:1	SHEET 1 OF 1	REV J	